

GENIUS 1200 MODULAR HIGH ARTICULATED

adjustable support system

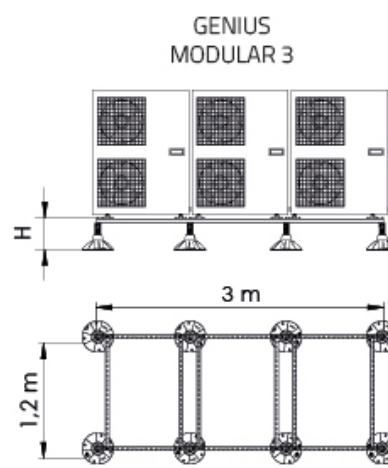
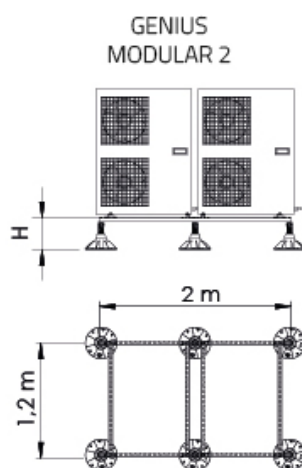
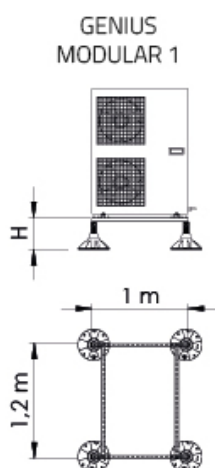
SCD500061 - SCD500062 - SCD500063



TECHNICAL SPECIFICATIONS:

- Galvanised steel profile structure
- Adjustable, swivel feet "Genius" model
- Adaptable to all machines on the market
- Height-adjustable
- Ideal for burners VRV - VRF - refrigerator groups

DIMENSIONS



CODE	H [mm]	LOAD CAPACITY [kg]
SCD500061	280 - 370	4800
SCD500062	280 - 370	7200
SCD500063	280 - 370	9600

ITEMS

CODE	DESCRIPTION
SCD500061	"GENIUS MODULAR 1" 200-300 ADJUSTABLE MOUNT SYSTEM
SCD500062	"GENIUS MODULAR 2" 200-300 ADJUSTABLE MOUNT SYSTEM
SCD500063	"GENIUS MODULAR 3" 200-300 ADJUSTABLE MOUNT SYSTEM